

MONARCH AUTOMATION

(513) 874-6566

quotes@monarchauto.com

www.monarchauto.com

Aluminum Extrusion

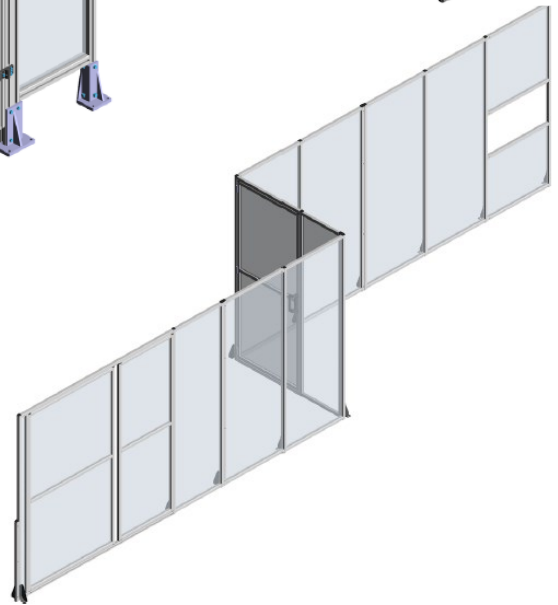
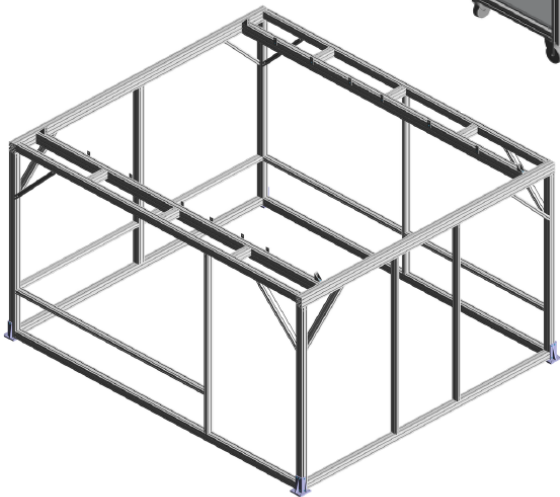
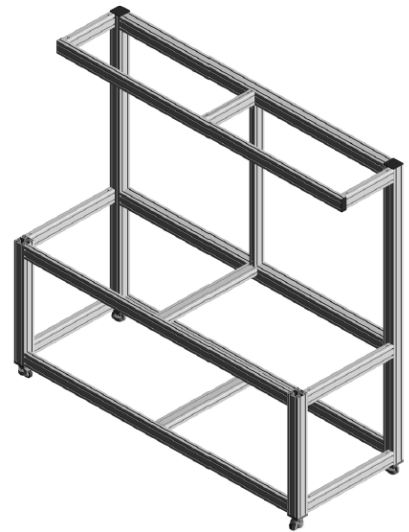


The ideal **profile system** by **MayTec** offers a comprehensive and integrated profile system where profiles can be connected in any way you may require.

- Maytec offers a comprehensive and harmonized **aluminum profile system**
- Accessories provide **functional and aesthetic** solutions for a wide range of applications
- Easy to process and quick to assemble with Maytec's **superior connection system**
- **Flexible and modular** construction allows for easy modifications at any time
- Maytec's free design software ([MayCAD](#)) is the industry leader in **extrusion software** and Monarch Automation can do the design work for you
- Pipe & Joint system software is also free ([MayTube](#))
- Monarch Automation has **local inventory** and has full in-house capabilities to design, cut, machine, and assemble including panel elements
- Monarch Automation offers this product in three forms: **raw material** and hardware, precut and machined **kits** for quick assembly by the customer, or completely **assembled** structures with fasteners torqued to manufacturer's specifications
- We can also **deliver** for an extra fee via our flatbed truck or van to save on crating fees

Maytec, the Connector Makes the Difference !

Extrusion Profile System



Pipe & Joint System

