

# Unique Efficiency



**KR1205**  
**1200 mm/5 kg**

Kassow Robots was founded in Copenhagen, Denmark, and is developing and manufacturing unique and efficient 7-axis lightweight robots for industrial applications. The company's motto is „strong, fast, simple“. Its products offer speed and power, yet also have a long reach. The robots' user-friendliness provides businesses with greater flexibility, allowing SMEs without their own robotics specialists to achieve complex automation and programming cost-effectively and independently. What is more, the cobots are compact enough for use in confined spaces.

## Kassow Robots: Product Family

	Reach/Payload
<b>KR810</b>	850 mm/10 kg
<b>KR1018</b>	1000 mm/18 kg
<b>KR1205</b>	1200 mm/5 kg
<b>KR1410</b>	1400 mm/10 kg
<b>KR1805</b>	1800 mm/5 kg

You will find the technical specifications and the technical drawings in separate data sheets.



### Contact

Kassow Robots  
Oliefabriksvej 57  
2770 Kastrup, DENMARK  
+45 20 24 09 95  
sales@kassowrobots.com  
[www.kassowrobots.com](http://www.kassowrobots.com)

# TECHNICAL SPECIFICATIONS

## 7-axis cobots

Last revised: 09/2020

General specifications	KR810	KR1018	KR1205	KR1410	KR1805
Reach (mm)	850	1000	1200	1400	1800
Payload (kg)	10	18	5	10	5
Weight (kg)	24	34	25	35	38
Joint Speed (deg/sec)	225	170/225	225	170/225	170/225
Joint Ranges (deg)	J2 and J4: -70°/+180°; J1, J3, J5, J6 and J7: ±360°				
Brakes on joints	Yes	Yes	Yes	Yes	Yes
Absolute encoders on joints	Yes	Yes	Yes	Yes	Yes
Repeatability (mm)	+/- 0.1	+/- 0.1	+/- 0.1	+/- 0.1	+/- 0.1
Degrees of freedom	7	7	7	7	7
Foot print (mm)	130x130	160x160	130x130	160x160	160x160
Operating temperature (C°)	0-45	0-45	0-45	0-45	0-45
Body material	Anodized aluminum				
Protection rating	IP54	IP54	IP54	IP54	IP54

Controller	KR810	KR1018	KR1205	KR1410	KR1805
Digital outputs 24V (pcs)	8	8	8	8	8
Relay outputs (pcs)	4	4	4	4	4
Digital inputs 3-30V (pcs)	16	16	16	16	16
Analogue I/O 0-10V (pcs)	2/2	2/2	2/2	2/2	2/2
Analogue I/O 4-20mA (pcs)	2/2	2/2	2/2	2/2	2/2

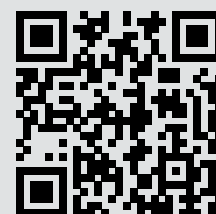
Power	KR810	KR1018	KR1205	KR1410	KR1805
Power consumption (with max. load; W)	400-600	400-1200	400-600	400-1200	400-1200
Supply Voltage (VAC)	100-120 or 200-240	100-120 or 200-240	100-120 or 200-240	100-120 or 200-240	100-120 or 200-240
Supply Current (A)	16	16	16	16	16
Supply frequency (Hz)	50/60	50/60	50/60	50/60	50/60
Max speed (mm/s)	1200/1800	2000/2400	1200/1800	2000/2400	2000/2400
Absolute encoders on joints	Yes	Yes	Yes	Yes	Yes
Sound level (dB) Below	70	70	70	70	70

Data Sheet (Technical Specifications) - EN - September 2020



## Kassarobot Robots: Product Family

	Reach/Payload
<b>KR810</b>	850 mm/10 kg
<b>KR1018</b>	1000 mm/18 kg
<b>KR1205</b>	1200 mm/5 kg
<b>KR1410</b>	1400 mm/10 kg
<b>KR1805</b>	1800 mm/5 kg



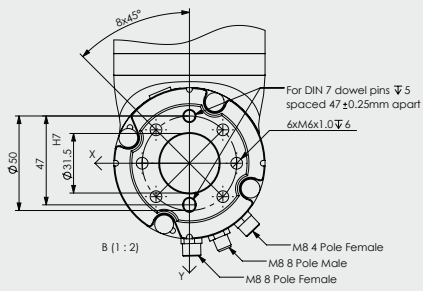
### Contact

Kassarobot Robots  
Oliefabriksvej 57  
2770 Kastrup, Denmark  
+45 20 24 09 95  
sales@kassarobot.com  
[www.kassarobot.com](http://www.kassarobot.com)

**Robot frames, kinematics and mechanical interfaces**

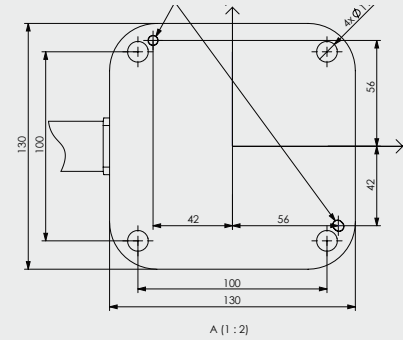
**All cobots**

Tool head with connections



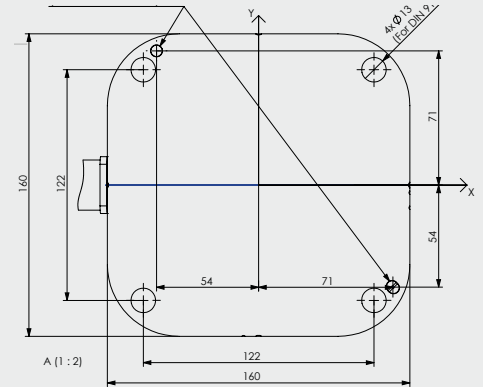
**KR810, KR1205**

Based plate dimensions



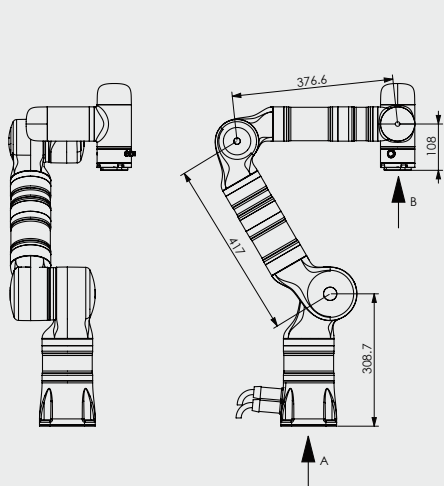
**KR1018, KR1410, KR1805**

Based plate dimensions



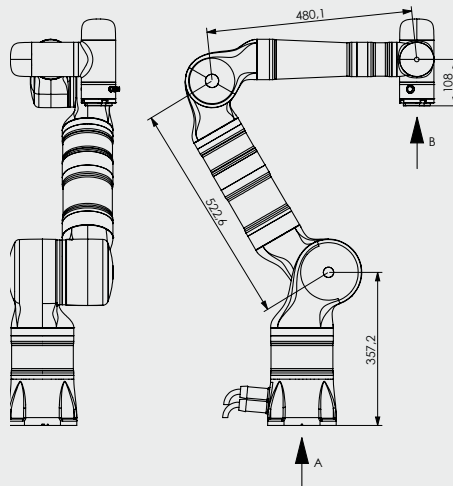
**KR810**

Dimensions



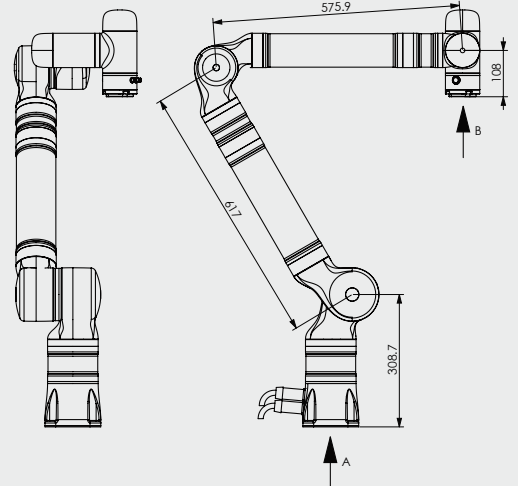
**KR1018**

Dimensions



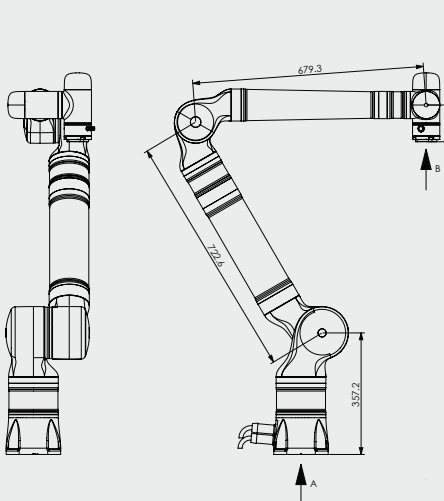
**KR1205**

Dimensions



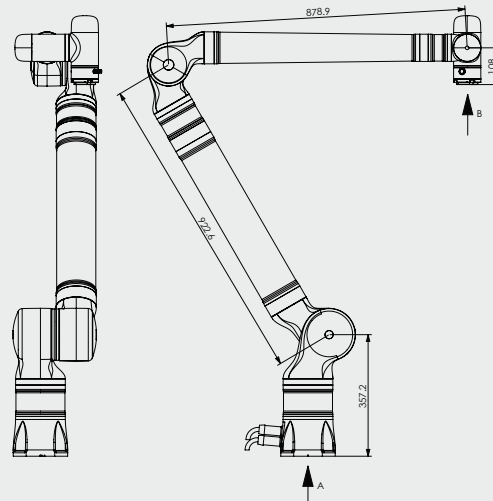
**KR1410**

Dimensions



**KR1805**

Dimensions



**7-axis cobot family**

<b>KR810</b>	850 mm/10 kg
<b>KR1018</b>	1000 mm/18 kg
<b>KR1205</b>	1200 mm/5 kg
<b>KR1410</b>	1400 mm/10 kg
<b>KR1805</b>	1800 mm/5 kg

Kassow Robots  
Oliefabriksvej 57  
2770 Kastrup, Denmark  
+45 20 24 09 95  
sales@kassowrobots.com  
www.kassowrobots.com